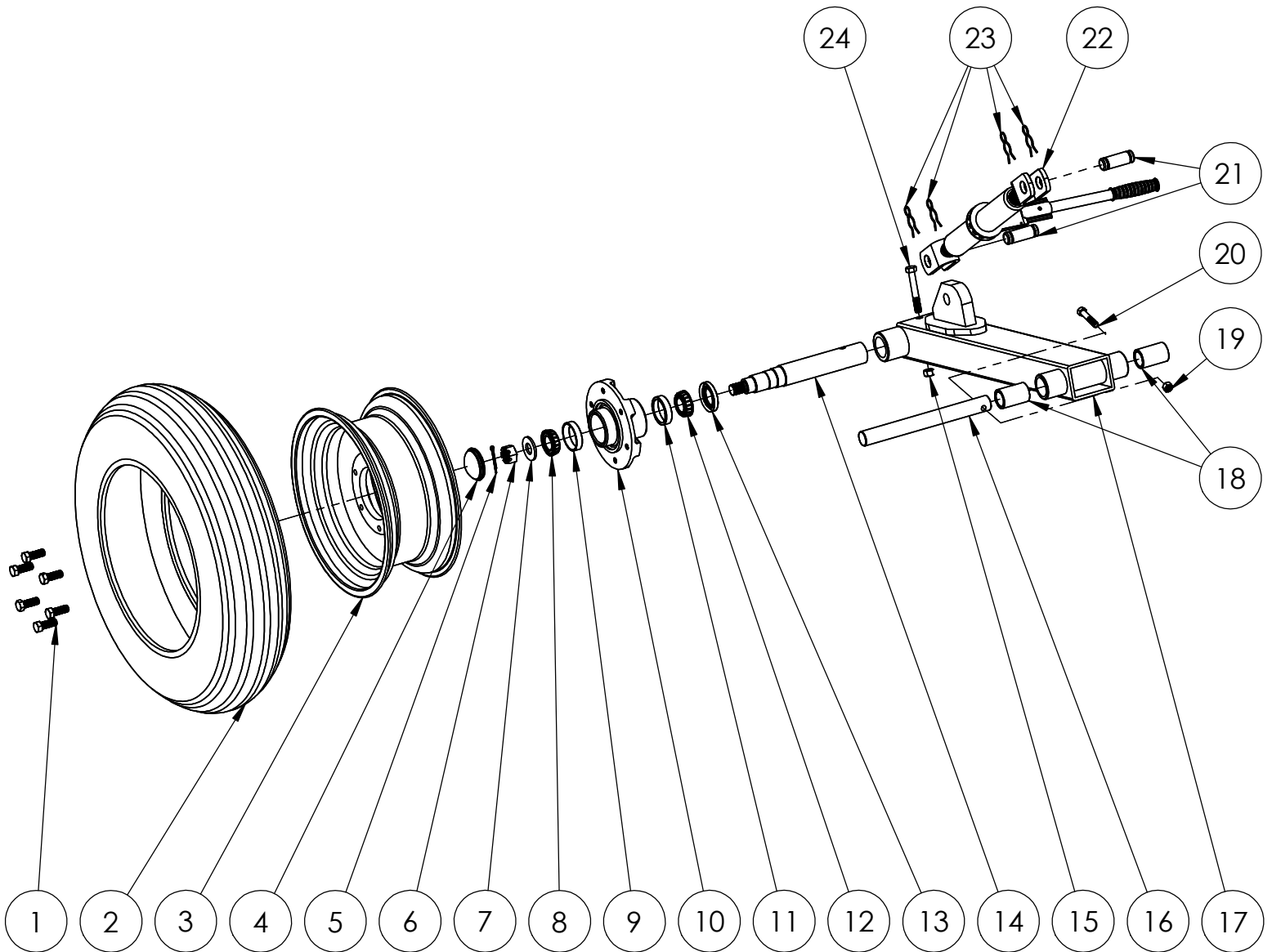


ITEM NO.	DESCRIPTION	PART NO.	QTY.
1	1/2"-20X1-1/4" WHEEL BOLT	06-943549	6
2	45L-15 TIRE	T-45L-15	1
3	15" WHEEL	15INW	1
4	2.448" X 1.24" DUST CAP 1513	06-909905	1
5	5/32" X 2" COTTER PIN	05-CP156-200	1
6	7/8" - 14 SPINDLE NUT	06-912952	1
7	2"X.94".16" SPINDLE WASHER	06-913607	1
8	OUTER TAPERED ROLLER BEARING	09-P702203	1
9	OUTER RACE/CUP	09-LM67010	1
10	HUB	06-W888-CMP	1
11	INNER RACE/CUP	JL69310	1
12	INNER TAPERED ROLLER BEARING	09-P752343	1
13	GREASE SEAL	06-906284	1
14	7/8"-14 THREAD 12-1/2" SPINDLE	06-280743	1
15	1/2" FLANGED HEAD WHIZ NUT	11-WZN-12	1
16	PIN	SM11412	1
17			1
18	POLY BUSHING	BM6104	2
19	7/16" FLANGED HEAD WHIZ NUT	11-WZN-716	1
20	7/16" X 2 1/2" BOLT	11-G5C716212	1
21	1" CLEVIS PIN	08-P7712	2
22	RATCHET JACK	08-SL-1541	1
23	SECURING CLIP PIN	08-P7910	4
24	1/2" X 3 1/2" BOLT	11-G5C12312	1



ITEM NO.	DESCRIPTION	PART NO.	QTY.
1	4X4 GW BRACKET	SM-44GWB	1
2	4X4 DIAMOND BOLT	SM-44DB	2
3	7X7 GW BRACKET	SM-77GWB	1
4	7X7 DIAMOND BOLT	SM-77DB	2
5	3/4" FLANGED HEAD WHIZ NUT	11-WZN-34	4
6	4X7 GW BRACKET	SM-47GWB	1
7	4X7 DIAMOND BOLT	SM-47DB	2
8	7X4 GW BRACKET	SM-74GWB	1

